

1

2

3

4

5

6

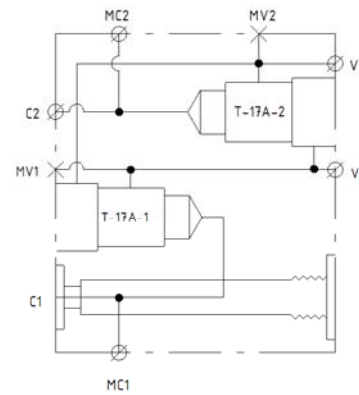
Rev. Revision note Rev. Date Sign

C1 Banjo G1"

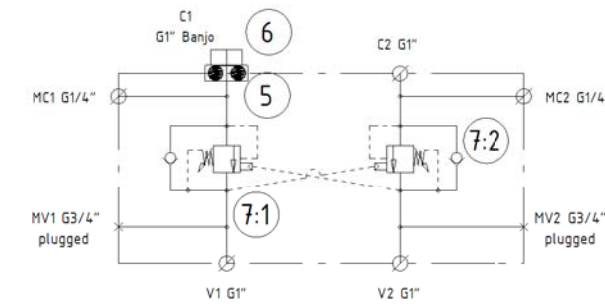
57,3

55,7

Circuit without pos 7:



Circuit including pos 7:



98,8

A812-22V-J11  
HN-691

C2 G1"

73,4

101,6

14,8

V1 G1"

23,8

58,7

V2 G1"

MC2 G1/4"

MC1 G1/4"

2,3

22,3

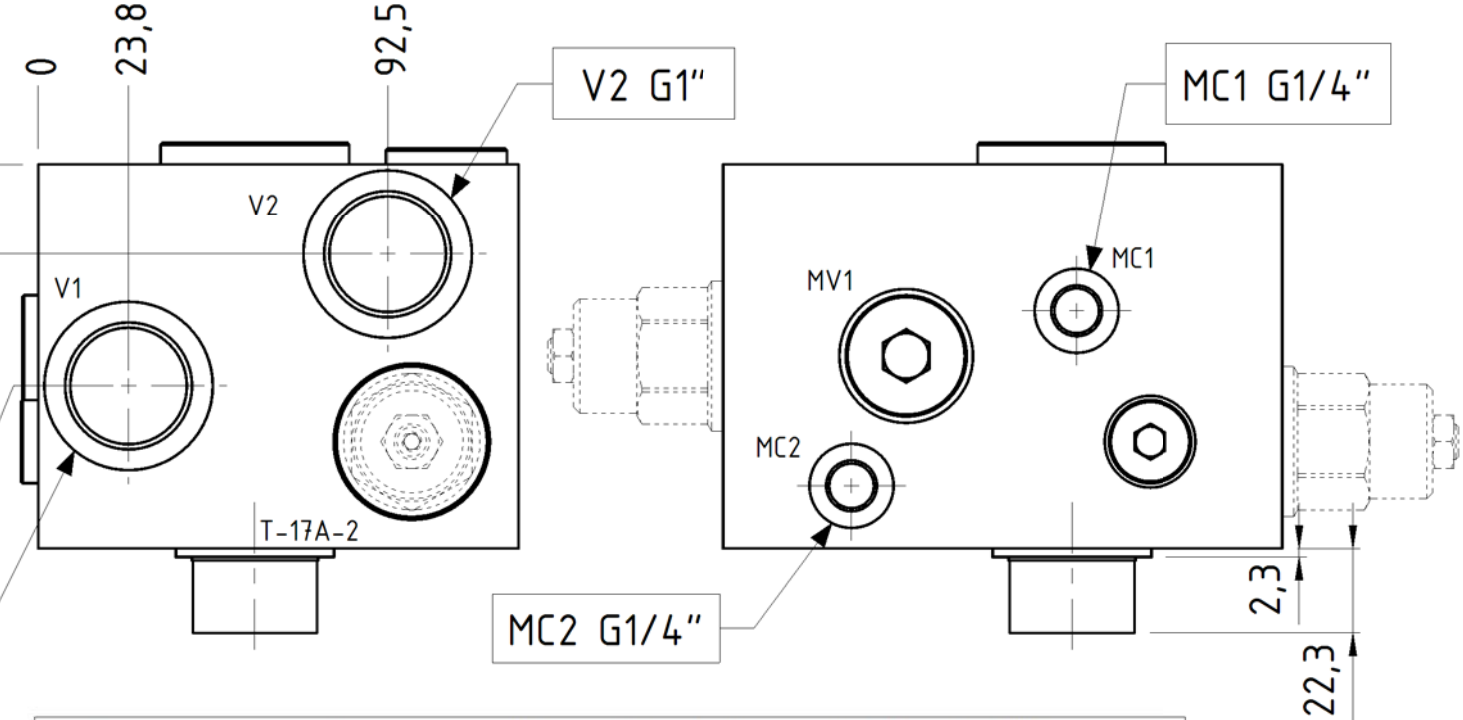
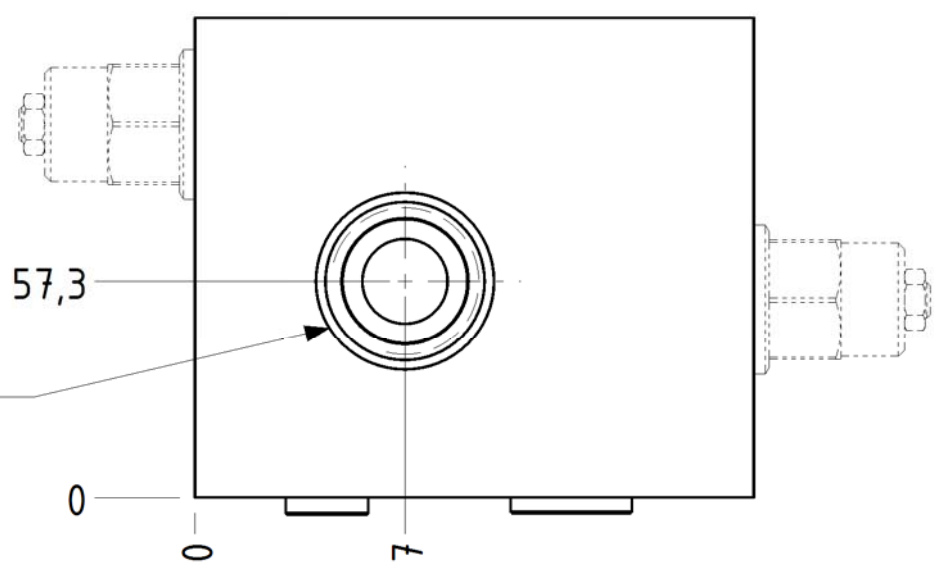
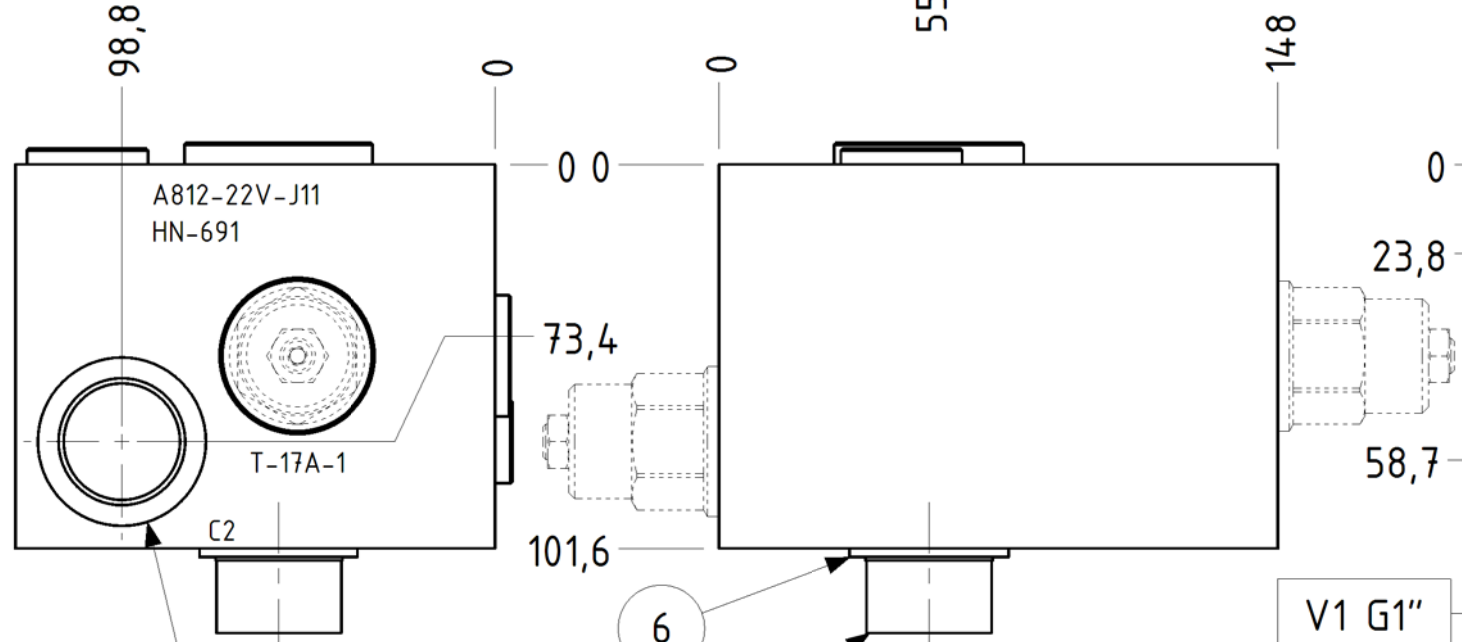
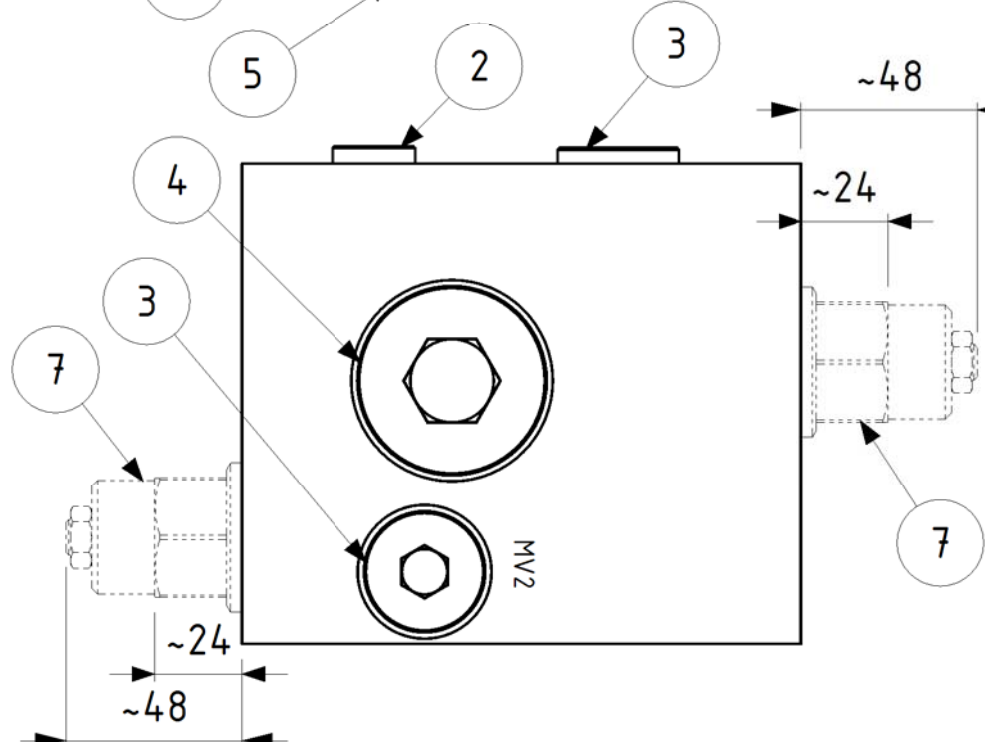
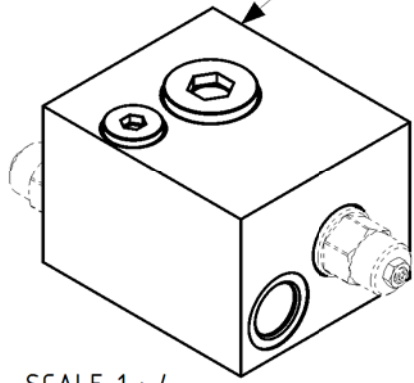
Pos. 2, 3 & 4 is included and mounted in Pos. 1 225-2257 A812-22V-J11  
Pos 7 shown only as reference

#	Qty	Part Number	Description	Hydnet art nr	[kg]	Installation
7	2	CBGA-LHN	3:1 pilot ratio, standard capacity counterbalance valve	213-0004	0,66	215 Nm
6	1	EDE-R 1"	Tätning till banjo	685-0128	-	-
5	1	BSCH G1"	Baniokoppling	685-0088	0,1	14,0 Nm
4	1	VSTI G1 1/4"-ED	VSTI Plus G1 1/4"	685-0046	0,2	SUN Mont.
3	2	VSTI G3/4"-ED	VSTI Plus G3/4"	685-0044	0,1	SUN Mont.
2	1	VSTI G3/8"-ED	VSTI Plus G3/8"	685-0042	0	SUN Mont.
1	1	A812-22V-J11 Banjo G1" 2x	Banjoblock HN-691	225-2257	10	G1" Banjo

ISO 2768-1 Medium, Ra=3,2µm	Material SG Iron	Heat treat, finish -	Status <b>RELEASED</b>	Dimensions 148x127x102	Block HN-691	Hydnet art nr 225-2257M*
□ Stamp framed text on surface, height = 4mm. Sharp edges chamfered.			Design OBD	Net. weight 13 kg	See drawing 3D01942	
		1:st angle projection	Depth	Title A812-22V-J11 HN-691	Scale 1:2	Size A3
					Created date 2008-12-10	Sheet 1(1) Rev. -



SCALE 1 : 4



A

B

C

D